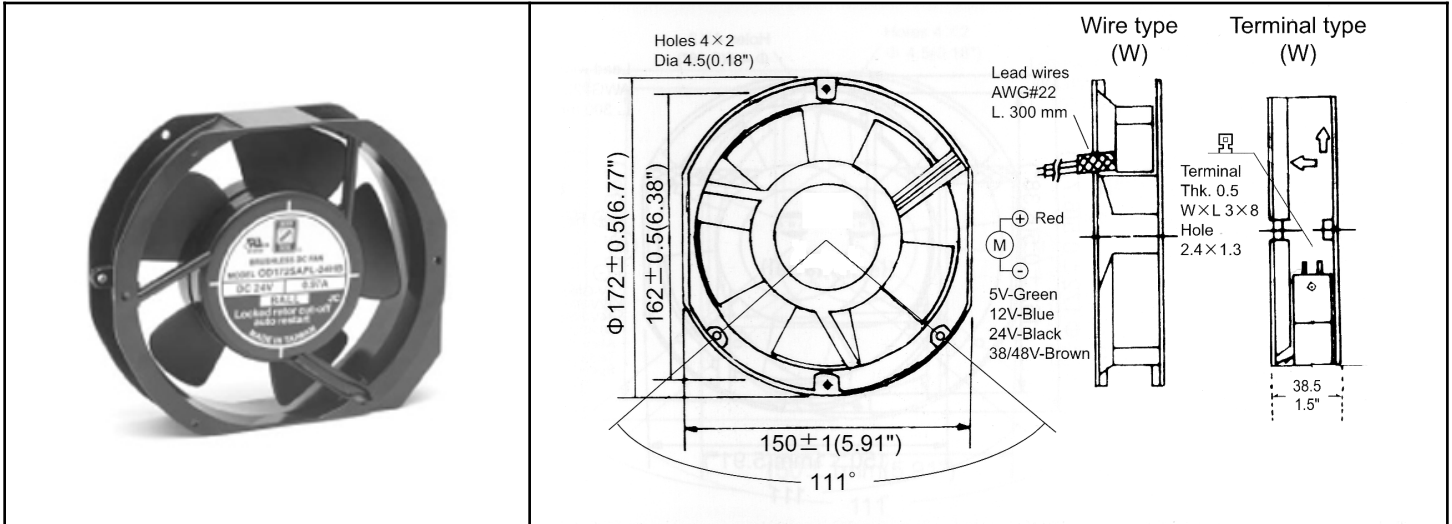


# OD172SAPL Series



DC Fan - 12, 24, 48V  
172x150x38mm (6.7"x 5.9"x 1.5")



Frame	Diecast Aluminum	<b>Available Options:</b> Tachometer (5VTTL) Alarm (5VTTL) Thermistor Speed Control PWM Speed Control Constant Speed  <u>Life Expectancy (L10)</u> Ball - 60,000 hrs (45C)  <u>Operating Temperature</u> Ball: -20C ~ 80C	
Impeller	PBT, UL94V-O plastic		
Connection	2x Lead wires, AWG22 or terminals		
Motor	Brushless DC, auto restart, polarity protected		
Bearing System	Dual ball bearing		
Insulation Resistance	10M ohm between leadwire and frame (500VDC)		
Dielectric Strength	1 second at 500 VAC, max leakage - 500 MicroAmp		
Storage Temperature	-30C ~ +90C		

Model Number	Speed (RPM)	Airflow (CFM)	Noise (dB)	Volts DC	Voltage Range	Amps	Max. Static Pressure (H2O)
OD172SAPL-12H *	4000	225	55	12	8~14	1.99	0.73
OD172SAPL-12M *	3300	190	45	12	8~14	1.10	0.51
OD172SAPL-12L *	2000	120	40	12	8~14	0.45	0.35
OD172SAPL-24H *	4000	225	55	24	15~28	0.97	0.73
OD172SAPL-24M *	2800	190	45	24	15~28	0.52	0.51
OD172SAPL-24L *	2000	120	40	24	15~28	0.20	0.35
OD172SAPL-48H *	4000	225	55	48	28~63	0.48	0.73
OD172SAPL-48M *	2800	190	45	48	28~63	0.30	0.51
OD172SAPL-48L *	2000	120	40	48	28~63	0.12	0.35

\* Indicate "B" for wire leads or "TB" for Terminals